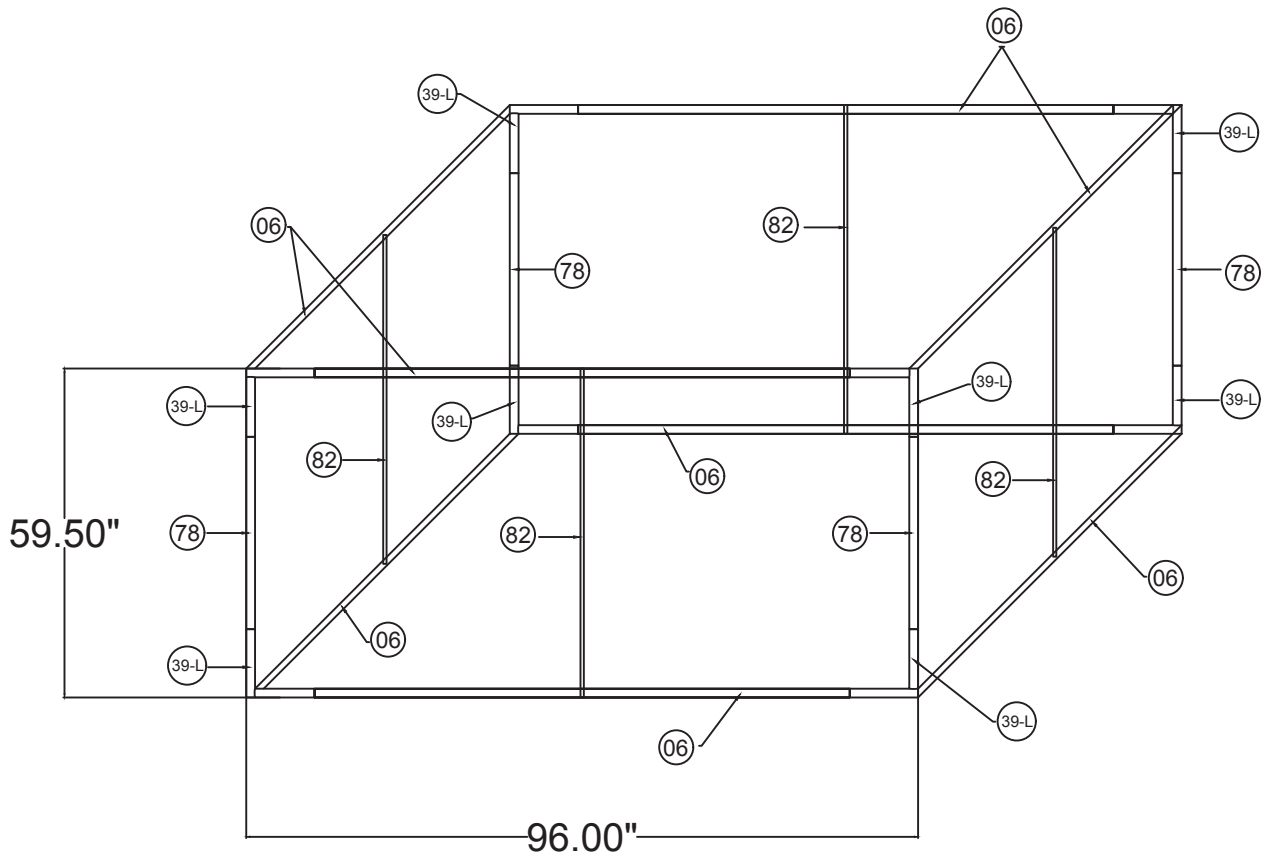
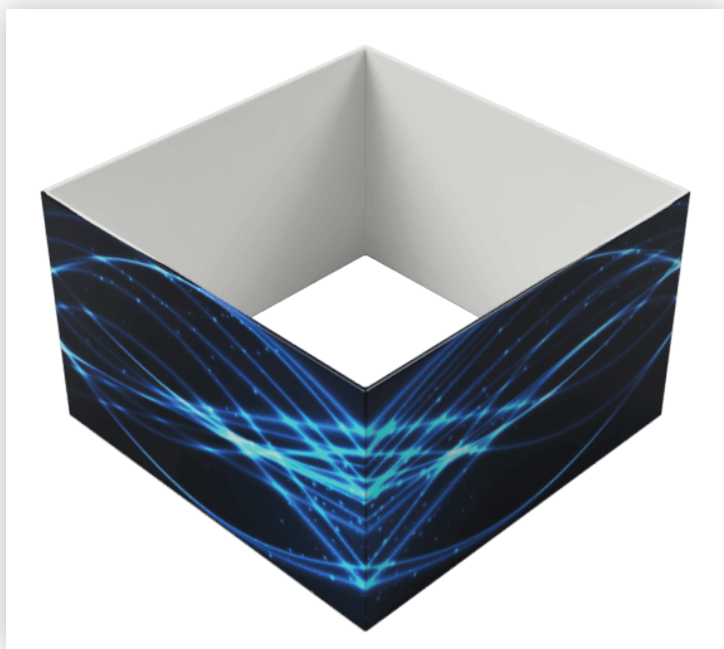


# WAVELINE®

8'w x 5'h WL Hanging Sign



## SHS0860



8'w x 5'h Sq. Hanging Sign	
Qty.	Part Number
8	WLM#039L-US
4	WLM#078
8	WLM#006
4	WLM#082-US
1	BGO-FABRIC-L bag

### Notes:

- \* Does not include Hanging Cables
- \* Will fit inside a CA600 or CA900 case